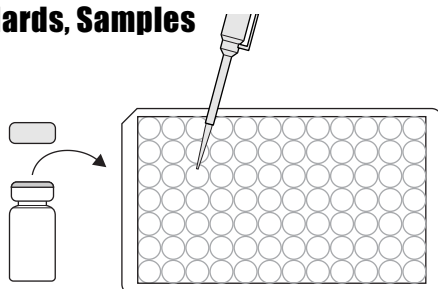


Microcystin PP2A Plate Kit, Detailed Procedure

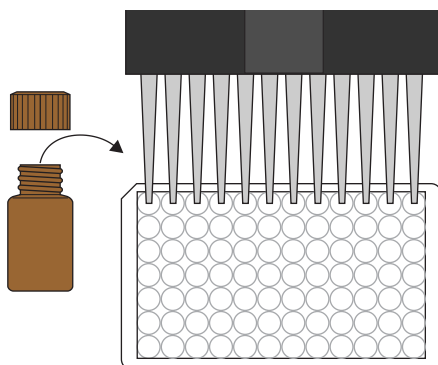
1. Addition of Standards, Samples

Add 50 μ L of the standard solutions, and samples into the wells of the test strips according to the working scheme given. We recommend using duplicates or triplicates.



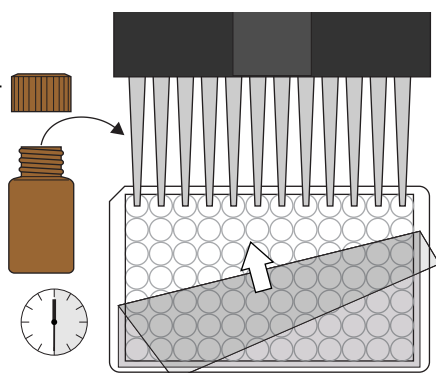
2. Addition of Phosphatase Solution

Add 70 μ L of the Phosphatase solution to the individual wells successively using a multi-channel pipette or a stepping pipette.



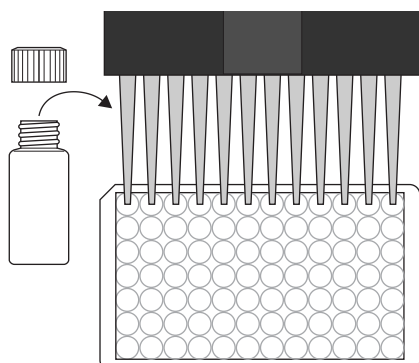
3. Addition of Chromogenic Substrate

Add 90 μ L of the Chromogenic Substrate to the individual wells successively using a multi-channel pipette or a stepping pipette. Cover the wells with parafilm or tape and mix the contents by moving the strip holder in a rapid circular motion on the benchtop. Be careful not to spill contents. Incubate the strips for 30 min. at 37°C.



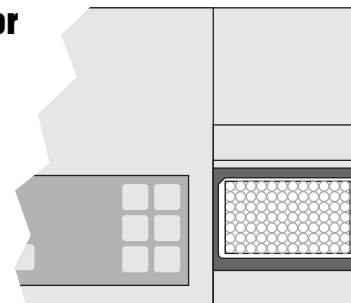
4. Addition of Stopping Solution

Add 70 μ L of stop solution to the wells in the same sequence as for the substrate solution using a multi-channel pipette or a stepping pipette.



5. Measurement of Color

Read the absorbance at 405 nm using a microplate ELISA reader. Calculate results.

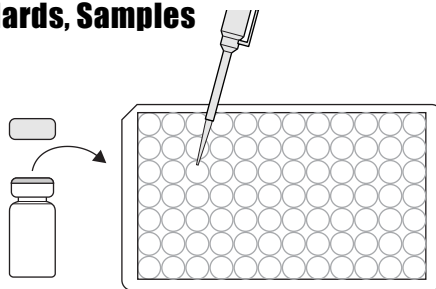


For Ordering or Technical Assistance Contact:
ABRAXIS, LLC
54 Steamwhistle Drive, Warminster, PA 18974
Phone: 215-357-3911 Fax: 215-357-5232
www.abraxiskits.com

Microcystin PP2A Plate Kit, Concise Procedure

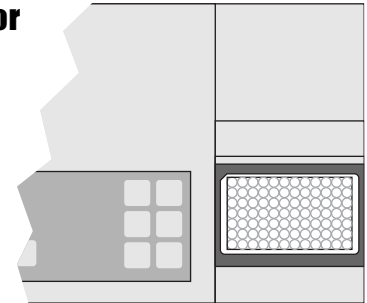
1. Addition of Standards, Samples

Add 50 μ L of standard solutions, and samples.



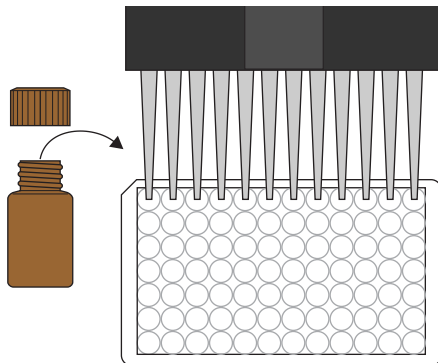
5. Measurement of Color

Read the absorbance at 405 nm using a microplate ELISA reader. Calculate results.



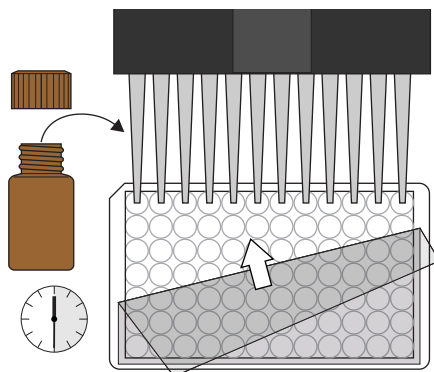
2. Addition of Phosphatase Solution

Add 70 μ L of the Phosphatase solution.



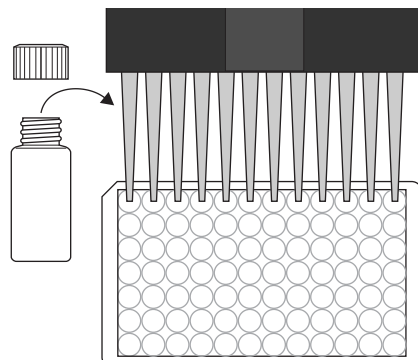
3. Addition of Chromogenic Substrate

Add 90 μ L of Chromogenic Substrate. Cover and mix for 30 seconds by rotating on benchtop. Incubate for 30 minutes at room temperature.



4. Addition of Stopping Solution

Add 70 μ L of Stopping Solution.



For Ordering or Technical Assistance Contact:
ABRAXIS, LLC
54 Steamwhistle Drive, Warminster, PA 18974
Phone: 215-357-3911 Fax: 215-357-5232
www.abraxiskits.com