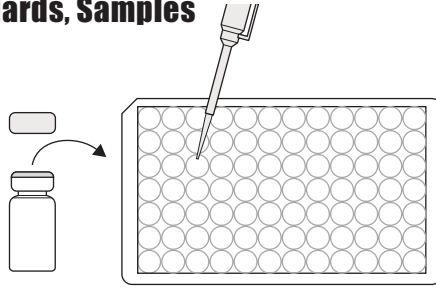


Sulfamethoxazole Plate, Detailed ELISA Procedure

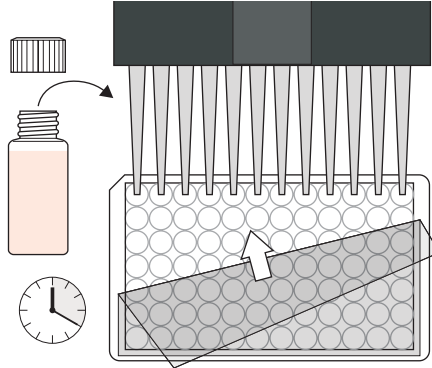
1. Addition of Standards, Samples

Add 75 μ l of the standard solutions, control or samples into the wells of the test strips according to the working scheme given. We recommend using duplicates or triplicates.



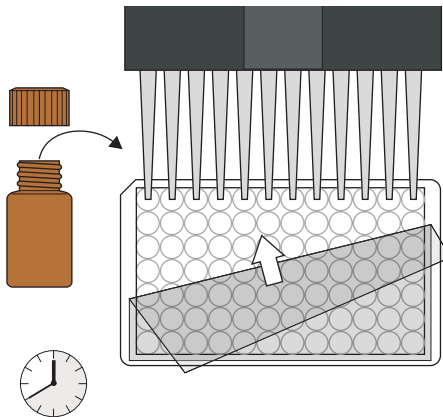
2. Addition of Antibody Solution

Add 50 μ l of the Sulfamethoxazole antibody solution to the individual wells successively using a multi-channel pipette. Cover the wells with parafilm or tape and mix the contents by moving the strip holder in a rapid circular motion on the benchtop. Be careful not to spill contents. Incubate the strips for 20 min at room temperature.



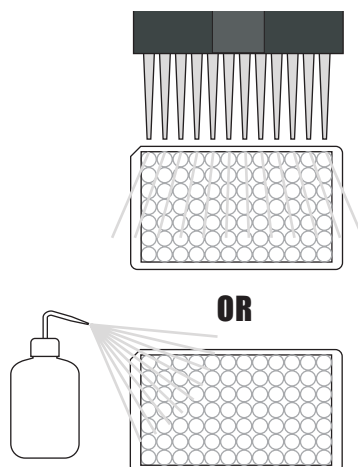
3. Addition of Enzyme Conjugate

Add 50 μ l of the enzyme conjugate to the individual wells successively using a multi-channel pipette or a stepping pipette. Cover the wells with parafilm or tape and mix the contents by moving the strip holder in a rapid circular motion on the benchtop for 30 seconds. Be careful not to spill contents. Incubate for 40 minutes at room temperature.



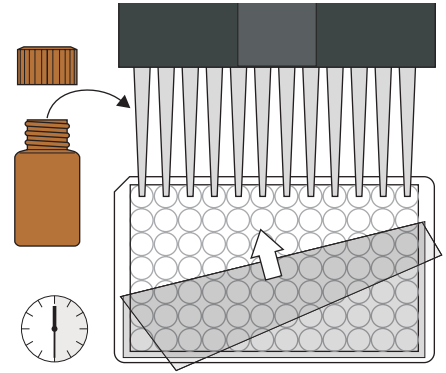
4. Washing of Plates

After incubation, remove the covering and vigorously shake the contents of the wells into a sink. Wash the strips three times with a multi-channel pipette or wash bottle using the diluted 5X washing buffer solution. Please use at least a volume of 250 μ l of washing buffer for each well and each washing step. Remaining buffer in the wells should be removed by patting the plate dry on a stack of paper towels. Repeat steps an additional two times.



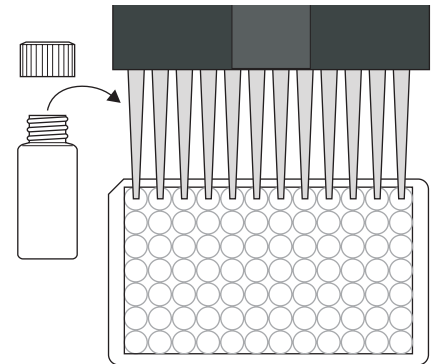
5. Addition of Substrate/Color Solution

Add 150 μ l of substrate/color solution to the individual wells successively using a multi-channel pipette or a stepping pipette. Cover the wells with parafilm or tape and mix the contents by moving the strip holder in a rapid circular motion on the benchtop. Be careful not to spill contents. Incubate the strips for 30 min at room temperature.



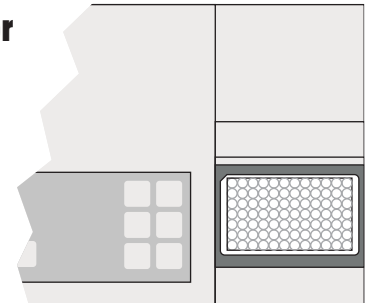
6. Addition of Stopping Solution

Add 100 μ l of stop solution to the wells in the same sequence as for the substrate solution using a multi-channel pipette or a stepping pipette.



7. Measurement of Color

Read the absorbance at 450 nm using a microplate ELISA reader. Calculate results.

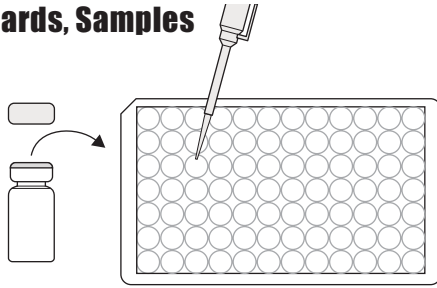


For Ordering or Technical Assistance Contact:
ABRAXIS, LLC
54 Steamwhistle Drive, Warminster, PA 18974
Phone: 215-357-3911 Fax: 215-357-5232
www.abraxiskits.com

Sulfamethoxazole Plate, Concise ELISA Procedure

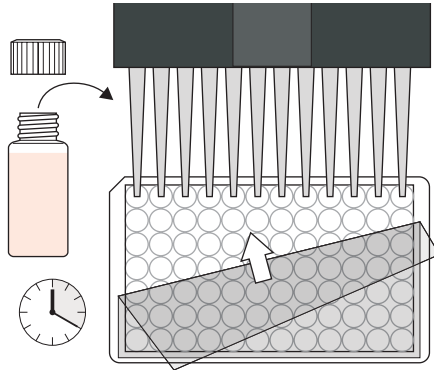
1. Addition of Standards, Samples

Add 75 μ L of standard solutions, control or samples.



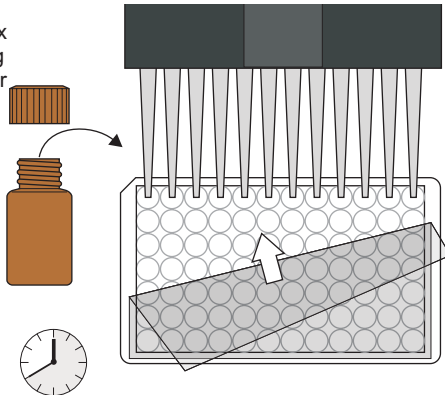
2. Addition of Antibody Solution

Add 50 μ L of the antibody solution. Incubate for 20 minutes at room temperature.



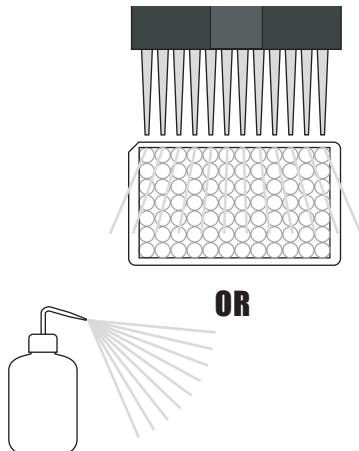
3. Addition of Enzyme Conjugate

Add 50 μ L of enzyme conjugate. Cover and mix for 30 seconds by rotating on benchtop. Incubate for 40 minutes at room temperature.



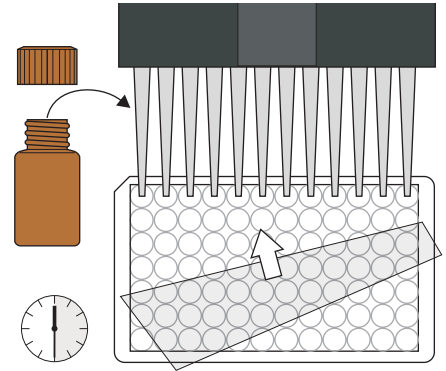
4. Washing of Plates

Wash the plates three times with 250 μ L of diluted 5X washing buffer.



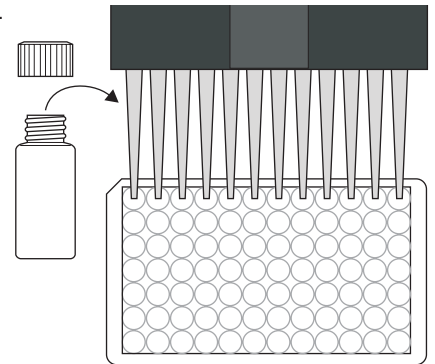
5. Addition of Substrate/Color Solution

Add 150 μ L of substrate/color solution. Incubate 30 minutes at room temperature and away from direct sunlight.



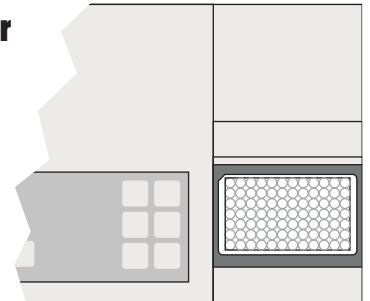
6. Addition of Stopping Solution

Add 100 μ L of stop solution.



7. Measurement of Color

Measure color at 450 nm. Calculate results.



For Ordering or Technical Assistance Contact:
ABRAXIS, LLC
54 Steamwhistle Drive, Warminster, PA 18974
Phone: 215-357-3911 Fax: 215-357-5232
www.abraxiskits.com